
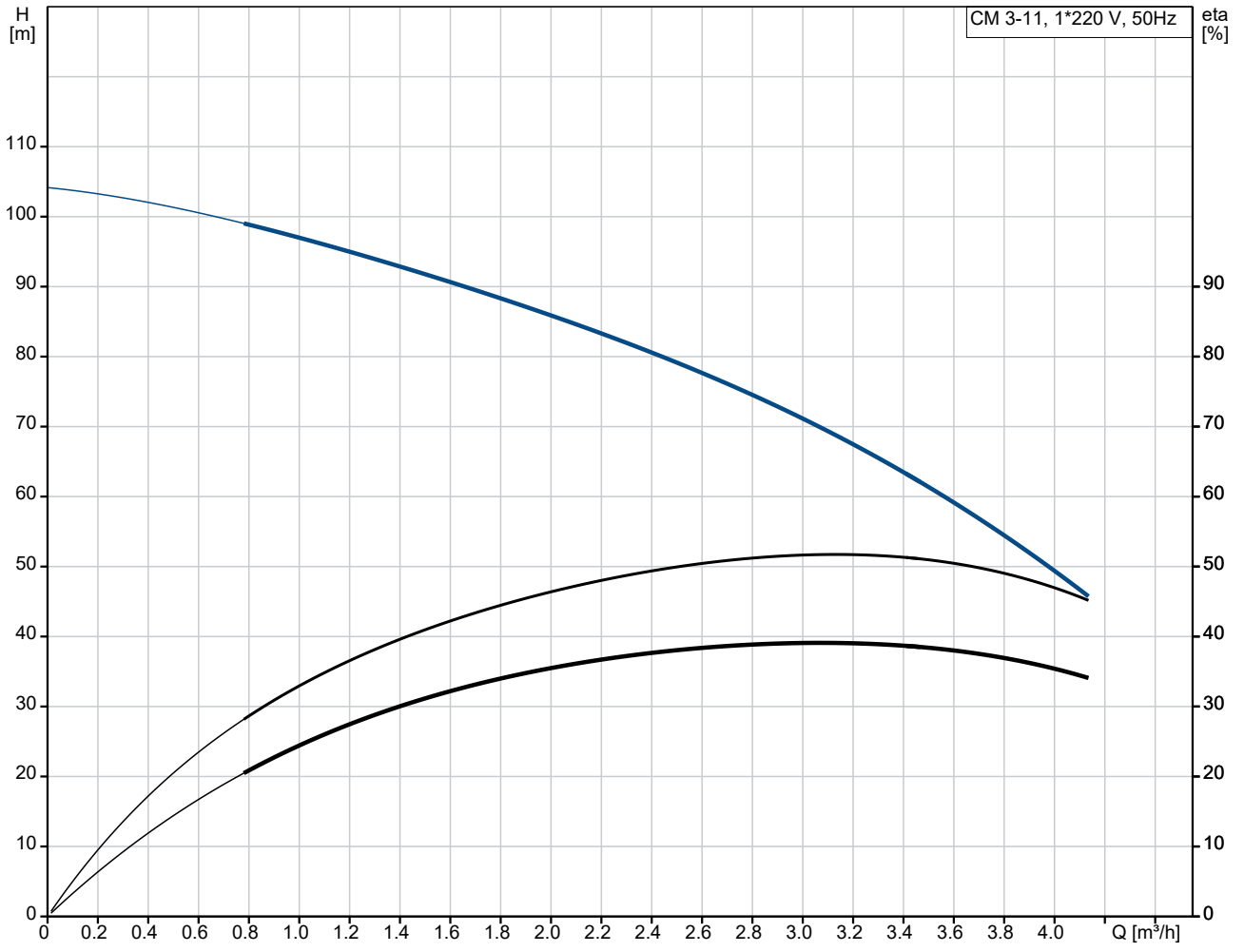


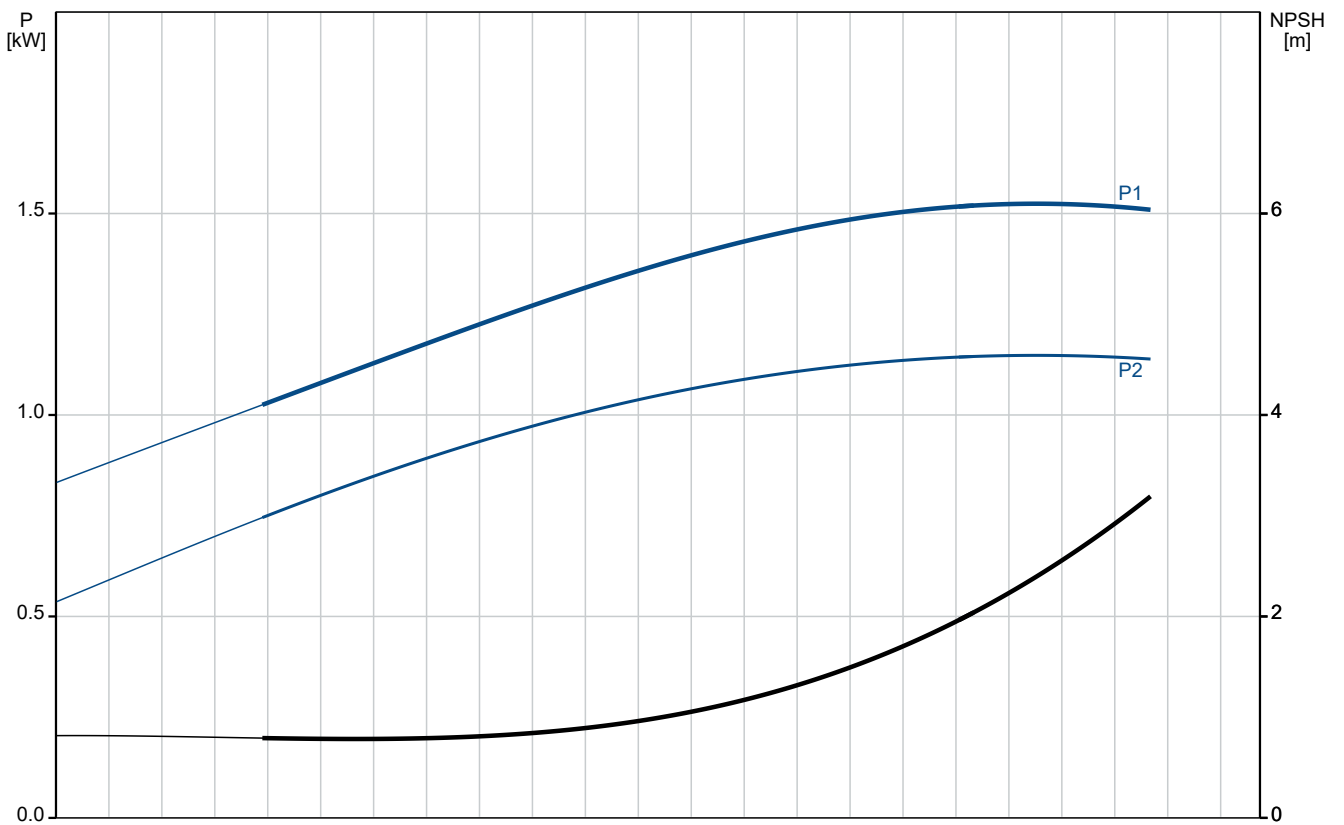
Qty.	Description
1	<p data-bbox="201 159 576 188"><b>CM 3-11 A-R-G-V-AQQV C-A-A-N</b></p>  <p data-bbox="592 506 1062 528" style="text-align: center;"><b>Note! Product picture may differ from actual product</b></p> <p data-bbox="201 539 480 562">Product No.: On request</p> <p data-bbox="201 600 1458 674">Compact, reliable, horizontal, multistage, end-suction centrifugal pump with axial suction port and radial discharge port. Pump materials in contact with the liquid are in high-grade stainless steel. The mechanical shaft seal is a special designed, unbalanced O-ring seal. Pipework connection is via internal Whitworth pipe threads, Rp (ISO 7/1).</p> <p data-bbox="201 712 1070 734">The pump is fitted with a 1-phase, foot-mounted, fan-cooled asynchronous motor.</p> <p data-bbox="201 772 300 795"><b>Controls:</b></p> <p data-bbox="201 801 635 824">Frequency converter: NONE</p> <p data-bbox="201 862 272 884"><b>Liquid:</b></p> <p data-bbox="201 891 635 913">Pumped liquid: Water</p> <p data-bbox="201 920 687 943">Liquid temperature range: -20 .. 90 °C</p> <p data-bbox="201 949 635 972">Selected liquid temperature: 20 °C</p> <p data-bbox="201 978 695 1001">Density: 998.2 kg/m<sup>3</sup></p> <p data-bbox="201 1039 312 1061"><b>Technical:</b></p> <p data-bbox="201 1068 820 1090">Pump speed on which pump data are based: 2900 rpm</p> <p data-bbox="201 1097 655 1120">Rated flow: 3.1 m<sup>3</sup>/h</p> <p data-bbox="201 1126 655 1149">Rated head: 76.85 m</p> <p data-bbox="201 1155 635 1178">Code for shaft seal: AQQV</p> <p data-bbox="201 1184 730 1207">Approvals: CE,EAC,UKCA</p> <p data-bbox="201 1214 751 1236">Approvals for drinking water: WRAS,ACS,UBA</p> <p data-bbox="201 1243 759 1265">Curve tolerance: ISO9906:2012 3B</p> <p data-bbox="201 1303 304 1326"><b>Materials:</b></p> <p data-bbox="201 1332 724 1420">Pump housing: Stainless steel EN 1.4401 AISI 316</p> <p data-bbox="201 1426 724 1514">Impeller: Stainless steel EN 1.4401 AISI 316</p> <p data-bbox="201 1552 325 1574"><b>Installation:</b></p> <p data-bbox="201 1581 687 1603">Range of ambient temperature: -20 .. 55 °C</p> <p data-bbox="201 1610 635 1632">Maximum operating pressure: 16 bar</p> <p data-bbox="201 1639 715 1688">Max pressure at stated temp: 16 bar / 90 °C 16 bar / 90 °C</p> <p data-bbox="201 1695 592 1718">Type of connection: Rp</p> <p data-bbox="201 1724 635 1747">Size of inlet connection: 1 inch</p> <p data-bbox="201 1753 635 1776">Size of outlet connection: 1 inch</p> <p data-bbox="201 1783 592 1805">Outlet position: 12</p> <p data-bbox="201 1843 360 1865"><b>Electrical data:</b></p> <p data-bbox="201 1872 608 1895">Motor standard: IEC</p> <p data-bbox="201 1901 635 1924">Frame size: 90SA</p> <p data-bbox="201 1930 639 1953">Rated power - P2: 1.3 kW</p> <p data-bbox="201 1960 635 1982">Mains frequency: 50 Hz</p> <p data-bbox="201 1989 584 2011">Suitable for 50/60 Hz: N</p> <p data-bbox="201 2018 740 2040">Rated voltage: 1 x 220-240 V V</p> <p data-bbox="201 2047 608 2069">Service factor: 1.00</p> <p data-bbox="201 2076 667 2098">Rated current: 8.4-8.0 A</p>

Qty.	Description																										
1	<table> <tr> <td>Starting current:</td> <td>340-340 %</td> </tr> <tr> <td>Rated speed:</td> <td>2710 rpm</td> </tr> <tr> <td>Enclosure class (IEC 34-5):</td> <td>IP55</td> </tr> <tr> <td>Insulation class (IEC 85):</td> <td>F</td> </tr> <tr> <td>Built-in motor protection:</td> <td>PTO</td> </tr> <tr> <td>Cable included (Yes/No):</td> <td>N</td> </tr> <tr> <td colspan="2">Others:</td> </tr> <tr> <td>Terminal box position:</td> <td>12</td> </tr> <tr> <td>Minimum efficiency index, MEI ≥:</td> <td>0.7</td> </tr> <tr> <td>Net weight:</td> <td>23.3 kg</td> </tr> <tr> <td>Gross weight:</td> <td>25.8 kg</td> </tr> <tr> <td>Country of origin:</td> <td>HU</td> </tr> <tr> <td>Custom tariff no.:</td> <td>84137042</td> </tr> </table>	Starting current:	340-340 %	Rated speed:	2710 rpm	Enclosure class (IEC 34-5):	IP55	Insulation class (IEC 85):	F	Built-in motor protection:	PTO	Cable included (Yes/No):	N	Others:		Terminal box position:	12	Minimum efficiency index, MEI ≥:	0.7	Net weight:	23.3 kg	Gross weight:	25.8 kg	Country of origin:	HU	Custom tariff no.:	84137042
Starting current:	340-340 %																										
Rated speed:	2710 rpm																										
Enclosure class (IEC 34-5):	IP55																										
Insulation class (IEC 85):	F																										
Built-in motor protection:	PTO																										
Cable included (Yes/No):	N																										
Others:																											
Terminal box position:	12																										
Minimum efficiency index, MEI ≥:	0.7																										
Net weight:	23.3 kg																										
Gross weight:	25.8 kg																										
Country of origin:	HU																										
Custom tariff no.:	84137042																										

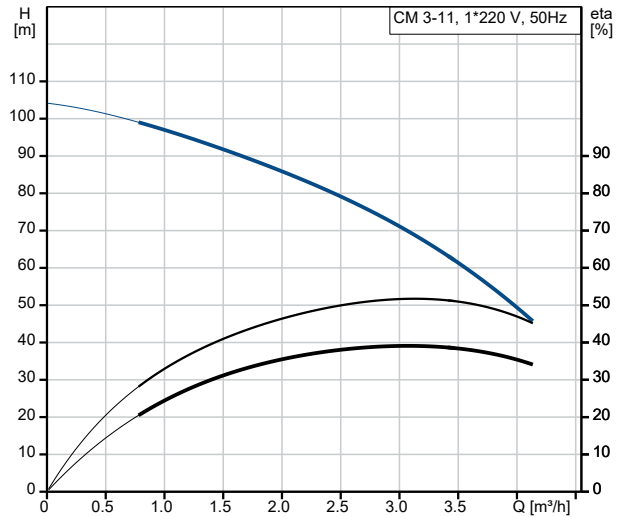
# On request CM 3-11 A-R-G-V-AQQV C-A-A-N 50 Hz



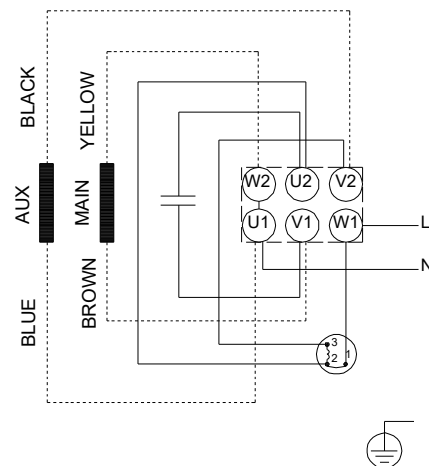
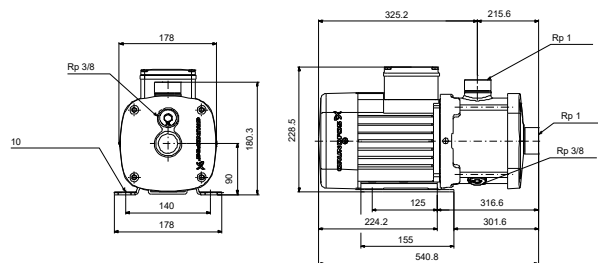
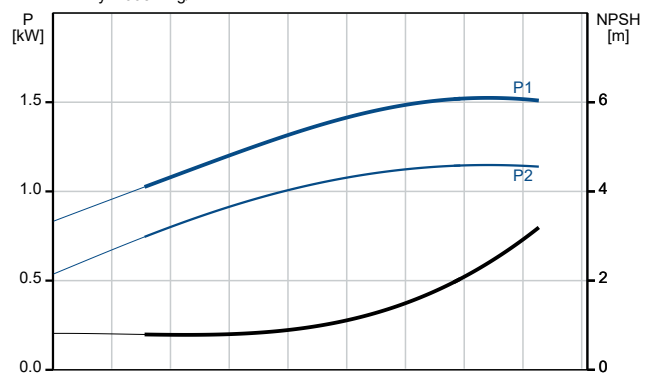
Pumped liquid = Water  
 Liquid temperature during operation = 20 °C  
 Density = 998.2 kg/m³



Description	Value
<b>General information:</b>	
Product name:	CM 3-11 A-R-G-V-AQQV C-A-A-N
Product No:	On request
EAN number:	On request
<b>Technical:</b>	
Pump speed on which pump data are based:	2900 rpm
Rated flow:	3.1 m <sup>3</sup> /h
Rated head:	76.85 m
Impellers:	11
Code for shaft seal:	AQQV
Approvals:	CE,EAC,UKCA
Approvals for drinking water:	WRAS,ACS,UBA
Curve tolerance:	ISO9906:2012 3B
Pump version:	A
Model:	A
<b>Materials:</b>	
Pump housing:	Stainless steel
Pump housing:	EN 1.4401
Pump housing:	AISI 316
Impeller:	Stainless steel
Impeller:	EN 1.4401
Impeller:	AISI 316
Material code:	G
Code for rubber:	V
<b>Installation:</b>	
Range of ambient temperature:	-20 .. 55 °C
Maximum operating pressure:	16 bar
Max pressure at stated temp:	16 bar / 90 °C
Max pressure at stated temp:	16 bar / 90 °C
Type of connection:	Rp
Size of inlet connection:	1 inch
Size of outlet connection:	1 inch
Outlet position:	12
Connect code:	R
<b>Liquid:</b>	
Pumped liquid:	Water
Liquid temperature range:	-20 .. 90 °C
Selected liquid temperature:	20 °C
Density:	998.2 kg/m <sup>3</sup>
<b>Electrical data:</b>	
Motor standard:	IEC
Frame size:	90SA
Rated power - P2:	1.3 kW
Mains frequency:	50 Hz
Suitable for 50/60 Hz:	N
Rated voltage:	1 x 220-240 V V
Service factor:	1.00
Rated current:	8.4-8.0 A
Starting current:	340-340 %
Rated speed:	2710 rpm
Enclosure class (IEC 34-5):	IP55
Insulation class (IEC 85):	F
Built-in motor protection:	PTO
Cable included (Yes/No):	N
<b>Controls:</b>	
Frequency converter:	NONE
<b>Others:</b>	
Terminal box position:	12
Minimum efficiency index, MEI ≥:	0.7
Net weight:	23.3 kg
Gross weight:	25.8 kg
Country of origin:	HU



Pumped liquid = Water  
Liquid temperature during operation = 20 °C  
Density = 998.2 kg/m<sup>3</sup>

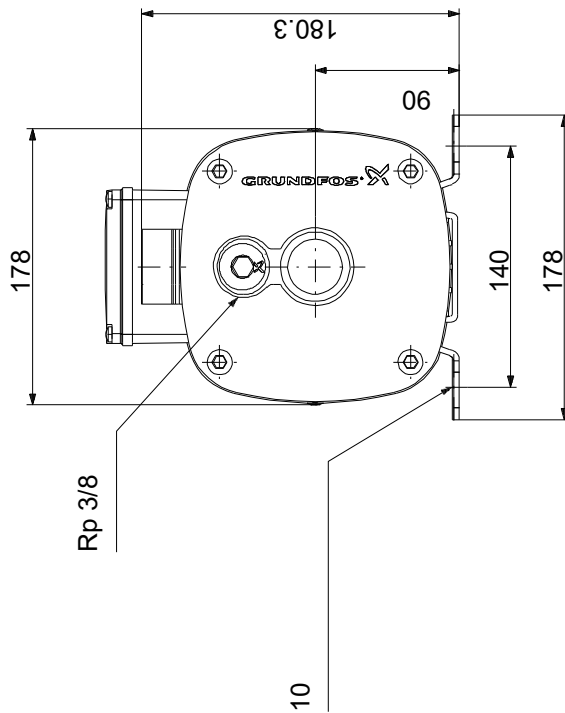
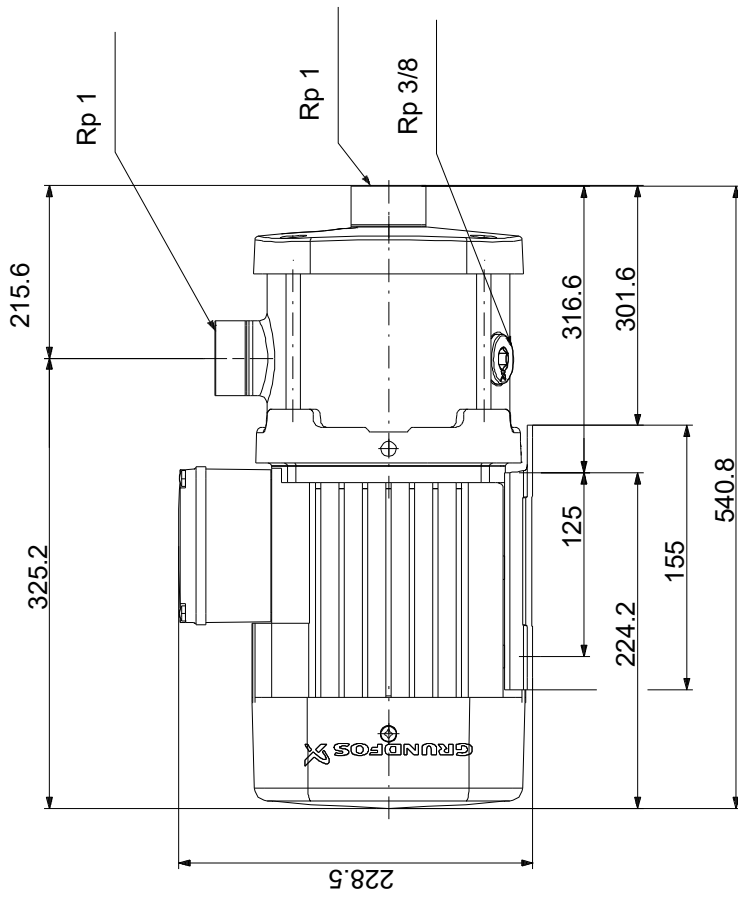


**Description****Value**

Custom tariff no.:

84137042

# On request CM 3-11 A-R-G-V-AQQV C-A-A-N 50 Hz



Note! All units are in [mm] unless others are stated.  
 Disclaimer: This simplified dimensional drawing does not show all details.